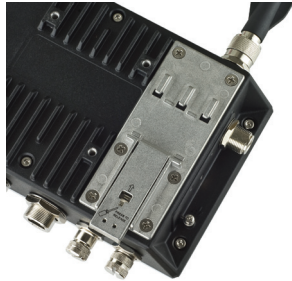


DK-DC50131

Din-rail mounting kit

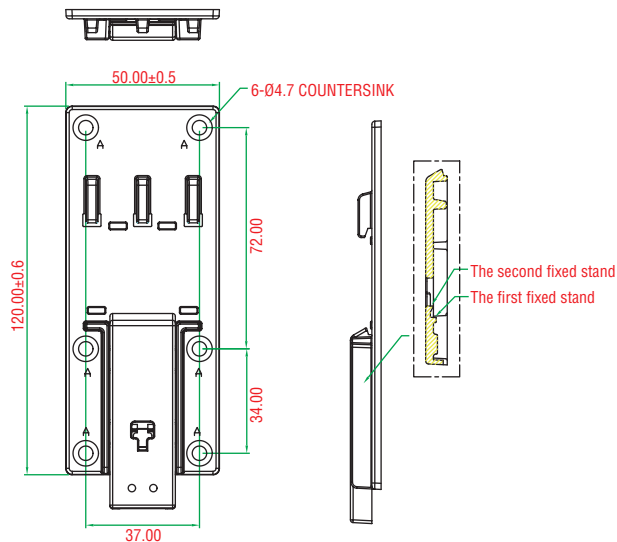


Specifications

Physical Characteristics
Material: Aluminum Alloy ADC12
Color: Silver

Warranty
Warranty Period: 1 year
Details: See www.moxa.com/warranty

Dimensions



Ordering Information

Available Models

DK-DC50131: DIN-rail mounting kit, 50 x 131 mm

Can be used with the following products

Details: AWK-4121 Series, AWK-4131-M12 Series, AWK-4131A Series, AWK-6232-M12 Series

Package Checklist

- 1 DK-DC50131
- 6 screws