

ANT-WCDMA-AHSM-04-2.5m

Five-band GSM/GPRS/EDGE/UMTS/HSPA, 4 dBi, omni-directional, magnetic base antenna



- > High gain antenna
- > Small size for compact fit
- > Lightweight for portable deployment
- > Magnetic base mount
- > SMA connector (male) supported

Specifications

Antenna Characteristics

Frequency: 850/900/1800/1900/2100 MHz
Antenna Type: Omni-directional
Typical Antenna Gain: 4 dBi
Connector: SMA (male)
Impedance: 50 ohms
Polarization: Linear, vertical
HPBW/horizontal: 360°
V.S.W.R.: <2

Physical Characteristics

Weight: 60 g
Dimensions: Length=110 mm

Cable Length: 2.5 m
Cable Type: RG174
Radome Color: Black
Radome Material: Plastic
Installation: Straight mount

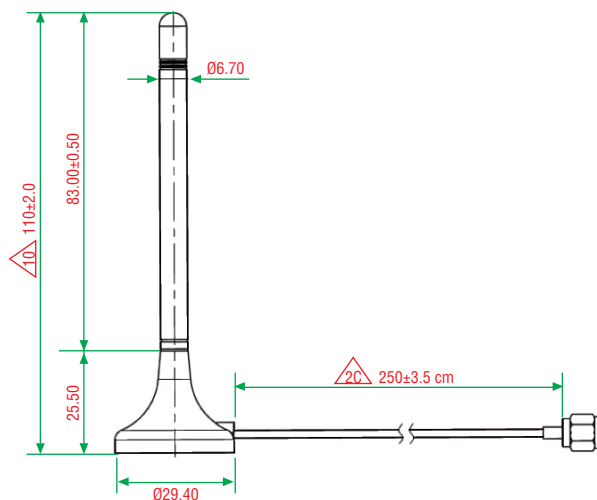
Environmental Limits

Operating Temperature: -30 to 75°F (-22 to 167°F)
Storage Temperature: -30 to 75°C (-22 to 167°F)
Ambient Relative Humidity: 5 to 95% (30°C, non-condensing)

Warranty

Warranty Period: 1 year
Details: See www.moxa.com/warranty

Dimensions



Unit: mm (inch)

Ordering Information

Available Models

ANT-WCDMA-AHSM-04-2.5m: Five-band GSM/GPRS/UMTS/HSDPA, omni-directional, 4 dBi, 11 cm height, magnetic SMA, 2.5 m

Can be used with the following products

OnCell G2111/G2151I, OnCell G3111/G3151, OnCell G3211/G3251, OnCell G3100 Series, OnCell G3100-HSDPA Series, OnCell G3100-HSPA Series, OnCell 5000 Series, OnCell 5000-HSDPA Series, OnCell G5000-HSPA Series